



GreenBrite® Cross-Line Laser
Model No. JLN300-GNCL



Instruction Manual

Congratulations on your choice of this GreenBrite® Cross-Line Laser. We suggest you read this instruction manual thoroughly before using the instrument. Save this instruction manual for future use.

This is a Class II laser tool and is manufactured to comply with CRF 21, parts 1040.10 and 1040.11 as well as international safety rule IEC 285.

Table of Contents

1. Kit Contents
2. Safety Instructions
3. Getting Started
4. Warning Labels
5. Parts/Components
6. Operation Instructions
7. Accuracy Check
8. Specifications
9. Care and Handling
10. Product Warranty & Registration
11. Accessories
12. Trouble Shooting

1. Kit Contents

Description for Model JLN300-GNCL	Qty.
Cross-Line Laser w/Magnetic Base	1
Lithium-ion Battery	1
Magnetic Target	1
Hard-Shell Carrying Case	1

2. Safety Instructions

CAUTION!

Class II Laser Product
Max. Power Output: <1mW
Wavelength: 510-530nm

**THIS TOOL EMITS LASER RADIATION.
DO NOT STARE INTO BEAM.
AVOID DIRECT EYE EXPOSURE.**



ATTENTION



IMPORTANT

- Read all instructions prior to operating this laser tool. Do not remove any labels from tool.
- Do not stare directly at the laser beam.
- Do not project the laser beam directly into the eyes of others.
- Do not set up laser tool at eye level or operate the tool near a reflective surface as the laser beam could be projected into your eyes or into the eyes of others.
- Do not place the laser tool in a manner that may cause someone to unintentionally look into the laser beam. Serious eye injury may result.
- Do not operate the tool in explosive environments, i.e. in the presence of gases or flammable liquids.
- Keep the laser tool out of the reach of children and other untrained persons.
- Do not attempt to view the laser beam through optical tools such as telescopes as serious eye injury may result.
- Always turn the laser tool off when not in use or left unattended for a period of time.

3. Getting Started

IMPORTANT: It is the responsibility of the user to verify the calibration of the instrument before each use. See section 7.

How to Charge Lithium-ion Battery

1. Open the battery compartment. (*Figure 3 - Figure 5*)

2. Check the fuel gauge status of the Li-ion battery. Press the micro switch on the battery. Note which LEDs light up. See the table below to determine the power status of the battery. The LEDs will turn off after three seconds. (*Figure 1*)

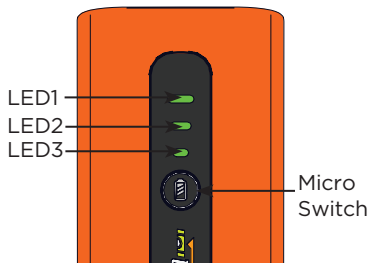


Figure 1

Fuel Gauge	LED1	LED2	LED3
Volt of battery <3.5V	ON	OFF	OFF
3.5V ≤ Volt of battery <3.8V	ON	ON	OFF
3.8V ≤ Volt of battery	ON	ON	ON

3. Connect a Type C, USB adapter/charger to battery charging port located on the front of the battery. (Figure 2)
4. Connect the opposite end of charging cable to a power source and note that battery charging LEDs light up. When all three are lit, the battery is fully charged. Charge time is typically 5 hours. See the table below to determine the charging status of the battery.

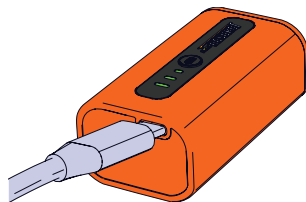


Figure 2

Fuel Gauge	LED1	LED2	LED3
Volt of battery <3.6V	Flashing	OFF	OFF
$3.6V \leq$ Volt of battery <3.9V	ON	Flashing	OFF
$3.9V \leq$ Volt of battery	ON	ON	Flashing
$4.165V \leq$ Volt of battery <4.235 (fully charged)	ON	ON	ON

5. Install the Li-ion battery pack into the unit as described. (Figure 7 - Figure 8)

How to Install or Replace Batteries

NOTE:

- Always check that the locking compensator/power switch is in the locked position before removing and replacing batteries.
 - Use only alkaline batteries or Lithium-ion battery pack.
 - Remove the batteries when storing the tool for an extended time (more than 3 months) to avoid damage to the unit should the batteries deteriorate.
1. Rotate the Cross-Line laser so the rear of the unit is accessible. *(Figure 3)*

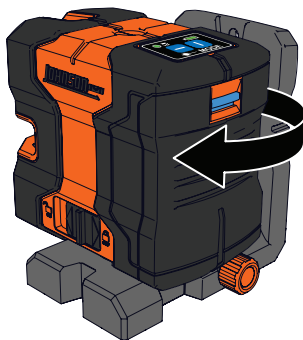


Figure 3

2. Push down on the battery door lock tab to unlock the battery door. Allow the battery compartment door to fall open. *(Figure 4)*

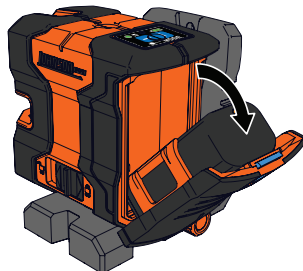


Figure 4

3. Remove battery case from the unit.
(Figure 5)

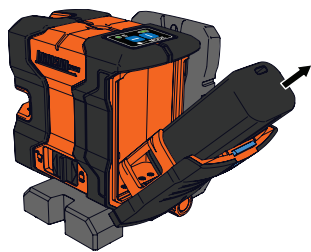


Figure 5

4. If replacing alkaline batteries, slide the cover off the battery case and insert three “AA” alkaline batteries the case according to the polarity illustrated inside. (Figure 6)



Figure 6

5. Reinstall the cover and reinsert the battery case into the unit. Be sure the end with the openings is inserted first. (Figure 7)

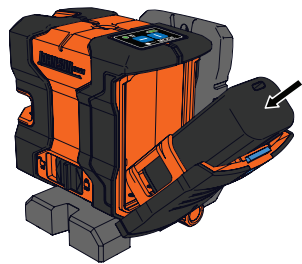


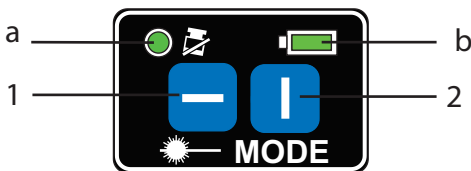
Figure 7

6. Push the battery cover closed until it snaps shut. (Figure 8)



Figure 8

Operating Panel Overview



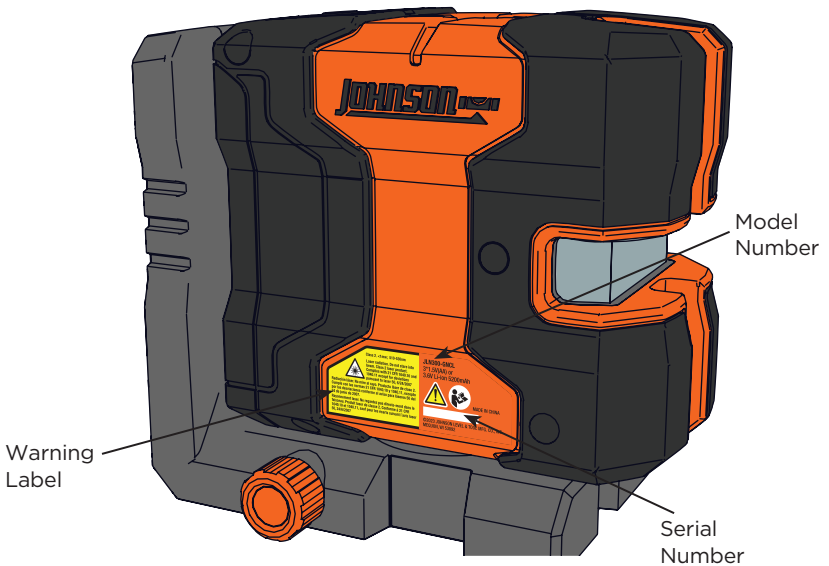
Pushbuttons


1. Horizontal Laser Line Mode
2. Vertical Laser Line Mode

LED Lights

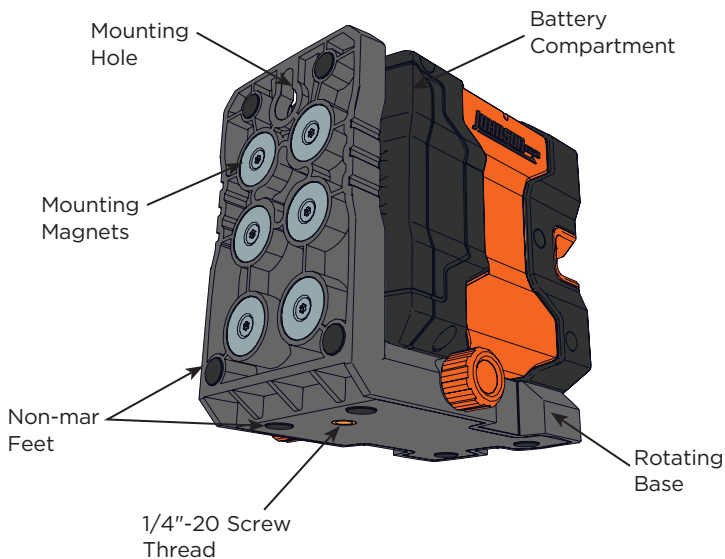
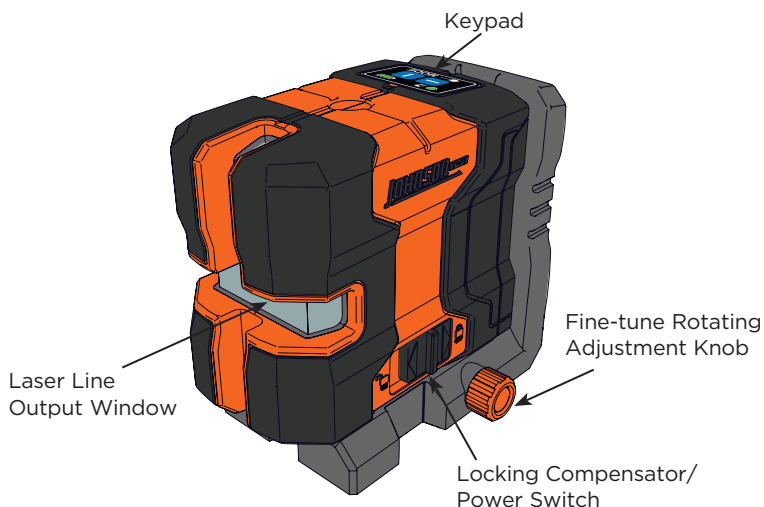
- a. Level Indicator
 - Green (steady) = Power on, Self-leveling mode
 - Red (flashing) = Out of level indicator
 - Red (steady) = Power on, Manual mode
- b. Battery Indicator
 - Green (steady) = > 30% power
 - Red (steady) = < 30% but > 15%
 - Red (flashing) = < 15%

4. Warning Labels



<p>Class 2, <1mw, 510-530nm Laser radiation. Do not stare into beam. Class 2 laser product. Complies with 21 CFR 1040.10 and 1040.11 except for deviations pursuant to laser 50, 6724/2007</p> <p>Radiación Láser. No mire al rayo. Producto Láser de clase 2. Cumple con las normas 21 CFR 1040.10 y 1040.11, excepto por las desviaciones conforme al aviso para láseres 50 del 24 de junio de 2007.</p> <p>Rayonnement laser. Ne regardez pas directement dans le faisceau. Produit laser de classe 2. Conforme à 21 CFR 1040.10 et 1040.11, sauf pour les écarts suivant l'avis laser 50, 24/6/2007</p>	<p>JLN300-GNCL 3*1.5V(AA) or 3.6V Li-ion 5200mAh</p> <p> </p> <p>MADE IN CHINA</p> <p>©2023 JOHNSON LEVEL & TOOL MFG. CO., INC. MEQUON, WI 53092</p>
--	---

5. Parts/Components



6. Operation Instructions

IMPORTANT: It is the responsibility of the user to verify the calibration of the instrument before each use. See section 7.

Using the Cross-Line Laser

1. Mounting Positions

The Johnson Cross-Line Laser can be mounted in a variety of positions, depending on your needs.

Place the unit in an upright position, either on a stable, flat surface, mount it to a tripod with a 1/4"-20 threaded screw, mount it to a ferrous surface using the magnets, or hang it on a nail using the mounting hole. Non-mar rubber feet on the unit prevent damage to surfaces. (Figure 9)

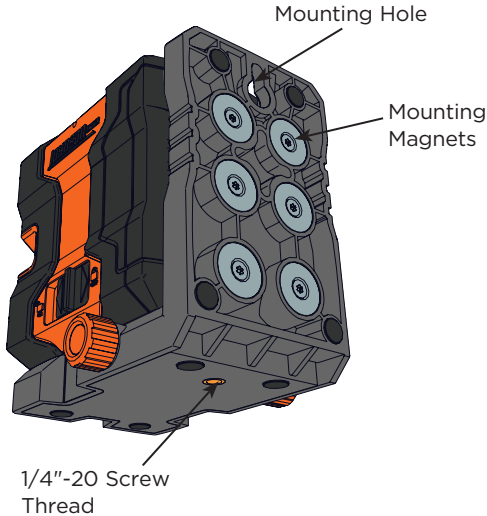


Figure 9

2. Using an Optional Mounting Bracket Accessory

Using an optional multi-functional base accessory (#40-6422), the unit can be used in even more positions including hanging from an elevated ferrous surface, mounted to a 5/8"-11 threaded screw, or insert mounting straps into slots for mounting on non-ferrous surfaces. (Figure 10)

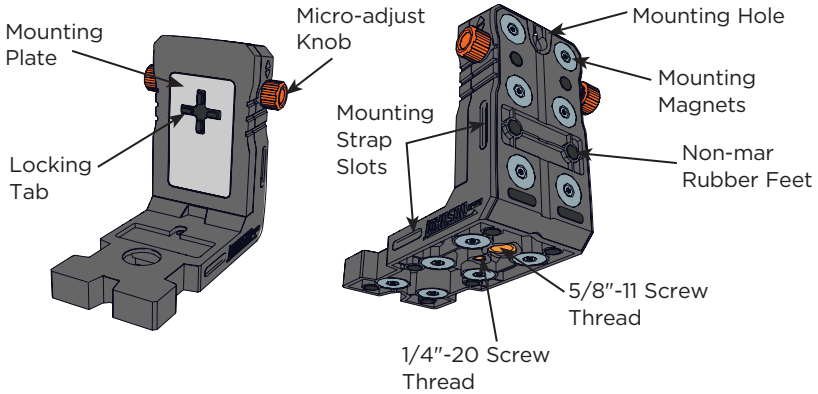
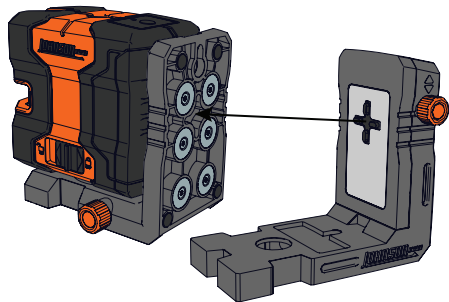


Figure 10

Operation

1. To attach the optional base accessory to the unit, place the unit's magnets on the metal plate, making sure the locking tabs snap into place on the rear of the laser base. (Figure 11)



2. The optional base accessory can be mounted to the unit in a variety of configurations: seated on the base, hanging from the base, or rotated 90° on the base. (Figure 12)

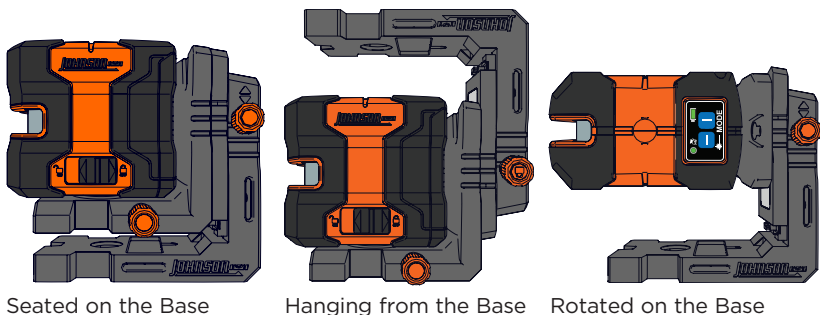
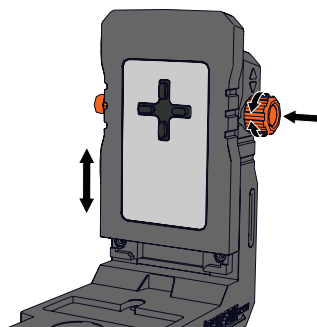



Figure 12

3. To make micro adjustments to the vertical position of the laser, push the micro-adjust knob on the base accessory in to unlock it. Rotate the knob to raise or lower the attachment plate. The position can be adjusted from 1/32" to 1". Release the knob to lock the position. (Figure 13)



3. Using the Unit in Automatic Mode

IMPORTANT: If the unit's position changes after it has self-leveled, verify the unit's position (for example, height) to the potentially changed conditions.

1. Slide the locking compensator/power switch to the left to the unlocked (ON)  position to power on the unit. The level indicator and power indicator will light up. (Figure 14)

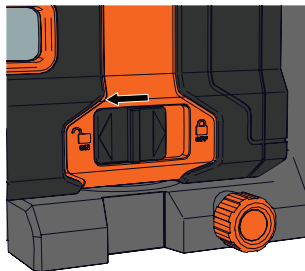




Figure 14

Power/Battery LED: Steady green LED indicates power is on and battery power is greater than 30%. Steady red LED indicates power is on and battery power is between 30% and 15%. Flashing red LED indicates power is on and less than 10%. Charge or change the batteries. Extinguished LED indicates power is off or battery has been depleted.


2. On the keypad, press the  button to turn on the horizontal laser beam. Press the  button to turn on the vertical laser beam. The unit can be used with any combination of laser beams turned on simultaneously. Disabling a laser you are not using extends the life of the battery.

NOTE: The unit must be within $\pm 4^\circ$ of level for the self-leveling feature to function properly. If the unit is beyond its 4° self-leveling range, the laser will not self-level, the laser will flash, and the level indicator status light will flash red. Once the unit has been adjusted to within its 4° self-leveling range, the laser will self-level, the status light will turn green, and the laser light will stop flashing and remain solid.

- When using the vertical (plumb) laser beam, rotate the unit to the desired position. Use the Fine-tuning adjustment knob to make small adjustments. (Figure 15)



Figure 15

- Slide the locking compensator to the right to the locked (OFF)  position to power off the unit. (Figure 16)

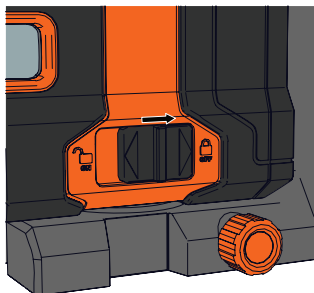




Figure 16

4. Using the Product in Tilt (Manual Level) Mode

The pendulum lock secures the laser during transport to prevent damage to the self-leveling mechanism. It also enables the laser to be used at any angle in manual mode.

1. The unit can be used to project laser beams at any angle desired, such as when projecting a line for stairs or a railing. This mode produces the best results when the unit is mounted on a tripod. With the locking compensator in the locked (OFF) position, press and hold any of the buttons on the keypad for three seconds to power on the unit. The status lights will illuminate. The level indicator LED will light a steady red to indicate the unit is not self-leveling.
2. On the keypad, press the  button to turn on the horizontal laser beam. Press the  button to turn on the vertical laser beam. The unit can be used with any combination of laser beams turned on simultaneously. Disabling a laser you are not using extends the life of the battery. The lasers will not self-level.

NOTE: While in Manual Level mode, active lasers will flash three times, at one second intervals, every 15 seconds. This is a visual indication that the unit is in Manual Level mode and will not self-level.

3. When using the vertical (plumb) laser beam, rotate the unit to the desired position. Use the Fine-tuning adjustment knob to make small adjustments.
4. Press any of the laser beam buttons for three seconds to power off the unit.

Using the Target

The target is used to enhance the laser beam visibility. The target uses magnets for easy mounting to ferrous surfaces in either horizontal or vertical positions. It has measurements in both English and Metric scales (inches/cm). This item is for use with green laser levels. *(Figure 17)*

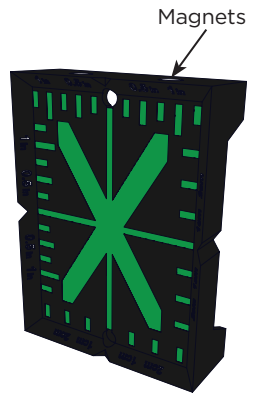


Figure 17

7. Accuracy Check

Before starting any critical work, check your laser for accuracy.

1. Plumb Line Accuracy

NOTE: This test should be done indoors with dim lighting. It is critical that the laser mark is easily seen.

1. Position laser at Point 1, 10' from a doorway.
2. Mark beam at Point 1.
3. Mark beam at Point 2, 20' away.
4. Mark Points C on the floor under doorway and D on doorway.
5. Move laser near Point 2. Aim the beam through Points 2, C, and 1. Mark Point E next to D on doorway.
6. If the distance D to E $< 1/16''$ for a 10' doorway, your plumb accuracy is within specification. (Figure 18)

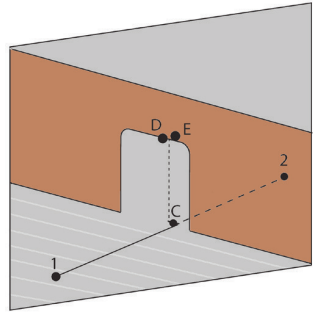


Figure 18

2. Horizontal Line Accuracy

Check accuracy using two walls 20' apart.

1. Set laser next to Wall A. Mark beam height on Wall A as point A1. (Figure 19)

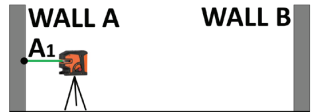


Figure 19

2. Rotate laser 180°. Mark beam height on Wall B as point C. (Figure 20)

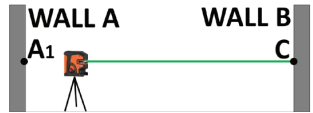


Figure 20

3. Set laser next to Wall B and adjust beam to height C. (Figure 21)

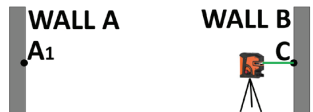


Figure 21

4. Rotate laser 180°. Mark beam height on Wall A as A2. (Figure 22)
5. Measure the vertical distance between A1 and A2. If this distance is $<1/16''$ at 20', your horizontal accuracy is within specification.



Figure 22

NOTE: If your laser needs non-warranty service or calibration, return it to a Johnson authorized service center for repair.

8. Specifications

Green Laser (horizontal, vertical)

	Wave Length (nm)	Laser Class	Power (mW)
Horizontal/ Vertical Line	510-530nm	2	<1mW

Accuracy	±1/8"/35'
Range	Up to 165' with detector (not included)
Self-Leveling Range	±4°
Power Supply	Li-ion battery (included), 3 "AA" alkaline batteries (not included)
Battery Life	Up to 30 hours Li-ion (included) or 11 hours alkaline (optional)
Dimensions	4.5" H x 2.7" W x 5.5" D
Working Temperature	14°F to 113°F
Tripod Thread	1/4" - 20
IP Protection	IP64

9. Care and Handling

- This laser unit is a precision tool that must be handled with care.
- Avoid exposing unit to shock vibrations and extreme temperatures.
- Before moving or transporting the unit, make sure that the unit is turned off.
- Remove the batteries when storing the unit for an extended time (more than three months) to avoid damage to the unit should the batteries deteriorate.
- Always store the unit in its case when not in use.
- Avoid getting the unit wet.
- Keep the laser unit dry and clean, especially the laser output window.
- Remove any moisture or dirt with a soft, dry cloth.
- Do not use harsh chemicals, strong detergents or cleaning solvents to clean the laser unit.

10. Product Warranty & Registration

Johnson Level & Tool offers a five year limited warranty on this product. You can obtain a copy of the limited warranty for a Johnson Level & Tool product by contacting Johnson Level & Tool's Customer Service Department, as provided below, or by visiting our web site at www.johnsonlevel.com. The limited warranty for each product contains various limitations and exclusions.

Do not return this product to the store/retailer or place of purchase. Non-warranty repairs and calibration must be done by an authorized Johnson® service center or Johnson Level & Tool's limited warranty, if applicable, will be void and there will be NO WARRANTY. Contact one of our service centers for all non-warranty repairs. A list of service centers can be found on our web site at www.johnsonlevel.com or by calling our Customer Service Department. Contact our Customer Service Department for Return Material Authorization (RMA) for warranty repairs (manufacturing defects only). Proof of purchase is required.

For further assistance, or if you experience problems with this product that are not addressed in this instruction manual, please contact our Customer Service Department at 888-953-8357.

Please register within 30 days of purchase. Registering ensures we have your information on file for warranty service even if you lose your receipt, and lets us contact you if there is ever a product recall. We will never sell your information and only send you marketing information if you opt-in.

To register, go to www.johnsonlevel.com/register.

11. Accessories

Johnson® accessories and replacement parts are available for purchase through authorized Johnson® dealers. Use of non-Johnson® accessories and replacement parts will void any applicable limited warranty and there will be NO WARRANTY. If you need any assistance in locating any accessories, please contact our Customer Service Department at 888-953-8357.

12. Trouble Shooting

Symptom	Possible Cause	Solution
Laser will not turn on	Batteries missing or depleted	Change the batteries
	Alkaline battery polarity incorrect	Check battery polarity
Laser turns off after a short time	Batteries depleted	Change or charge the batteries
Laser is not accurately reading level	Laser is out of calibration MORE THAN 1/8" at 35'	Return to Johnson dealer for service
Laser light appears dim	Batteries are weak	Change or charge the batteries
	Improper battery type	Ensure high quality Alkaline batteries are used
	Ambient temperature too high/low	Ensure temperature is within operating range listed under specifications
Laser light is blinking	Laser is out of self-leveling range	Position laser within 4° of level so that it can self-level
Laser will not self-level	Laser is out of self-leveling range	Position laser within 4° of level so that it can self-level
	Compensator is locked	Unlock compensator to allow the pendulum to self-level; operating with the compensator locked is for tilt/manual level mode at unique angles

JOHNSON

Laser à croix GreenBrite®
Modèle n° JLN300-GNCL



Mode d'emploi

Félicitations pour votre choix de ce laser à croix GreenBrite®. Johnson Level & Tool recommande de lire ce mode d'emploi avec attention avant d'utiliser l'instrument. Conserver ce mode d'emploi pour pouvoir le consulter ultérieurement.

Cet outil laser est de classe II. Il est fabriqué conformément aux parties 1040.10 et 1040.11 de la norme CRF 21 ainsi qu'au règlement de sécurité international CEI 285.

Table des matières

1. Contenu du nécessaire
2. Consignes de sécurité
3. Pour commencer
4. Étiquettes de mise en garde
5. Pièces/composants
6. Consignes d'utilisation
7. Vérification de la précision
8. Caractéristiques techniques
9. Entretien et manipulation
10. Garantie et enregistrement du produit
11. Accessoires
12. Dépannage

1. Contenu du nécessaire

Description du modèle JLN300-GNCL	Qté
Laser à croix avec base magnétique	1
Pile Lithium-ion	1
Cible magnétique	1
Étui de transport rigide	1

2. Consignes de sécurité

ATTENTION!

Produit laser de classe II
Puissance de sortie maximale : < 1mW
Longueurs d'onde : 510-530 nm

**CET OUTIL ÉMET UN RAYONNEMENT LASER.
NE PAS REGARDER FIXEMENT LE FAISCEAU.
ÉVITER L'EXPOSITION DIRECTE DES YEUX.**



ATTENTION



IMPORTANT

- Lire l'ensemble des consignes avant d'utiliser cet outil laser. Ne retirer aucune étiquette de l'outil.
- Ne pas regarder fixement le faisceau laser.
- Ne pas projeter le faisceau laser directement dans les yeux d'autres personnes.
- Ne pas mettre en place l'outil laser à la hauteur des yeux et ne pas le faire fonctionner près d'une surface réfléchissante, car le faisceau laser pourrait être projeté dans vos yeux ou dans ceux de quelqu'un d'autre.
- Ne pas placer l'outil laser d'une manière qui pourrait amener quelqu'un à regarder involontairement le faisceau laser. Cela peut provoquer de graves blessures aux yeux.
- Ne pas faire fonctionner l'outil dans des milieux explosifs, par exemple en présence de gaz ou de liquides inflammables.
- Tenir l'outil laser hors de portée des enfants et d'autres personnes non qualifiées.
- Ne pas tenter de regarder le faisceau laser par l'intermédiaire d'instruments optiques tels que des télescopes, car cela peut provoquer de graves blessures aux yeux.
- Veiller à toujours éteindre l'outil laser lorsqu'il n'est pas utilisé ou qu'il est laissé sans surveillance pendant une certaine période.

3. Pour commencer

IMPORTANT : Il incombe à l'utilisateur de vérifier l'étalonnage de l'instrument avant chaque utilisation. Voir la section 7.

Comment charger la pile au lithium-ion

1. Si une pile Li-ion est insérée dans l'appareil, ouvrir le compartiment de la pile. (Figure 3 - Figure 5)
2. Contrôler l'état de l'indicateur de charge de la pile Li-ion. Appuyer sur le mini-interrupteur du boîtier de pile. Noter quels voyants s'allument. Voir la table ci-dessous pour déterminer l'état de puissance de la pile. Les voyants s'éteignent au bout de trois secondes. (Figure 1)

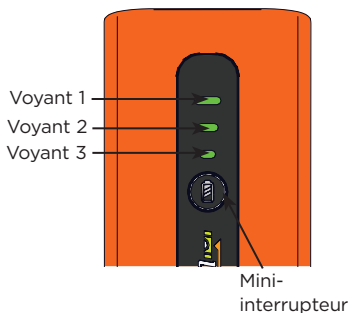


Figure 1

Indicateur de charge	Voyant 1	Voyant 2	Voyant 3
Tension de la pile < 3,5 V	ALLUMÉ	ÉTEINT	ÉTEINT
3,5 V ≤ tension de pile < 3,8 V	ALLUMÉ	ALLUMÉ	ÉTEINT
3,8 V ≤ tension de pile	ALLUMÉ	ALLUMÉ	ALLUMÉ

3. Brancher un adaptateur/chargeur USB de type C au port de recharge de pile situé sur l'avant du boîtier de pile. (Figure 2)
4. Brancher l'extrémité opposée du câble de charge à une source d'alimentation et vérifier que les voyants de charge de pile s'allument. Lorsque les trois sont allumés, la pile est complètement chargée. Le temps de charge est habituellement de 5 heures. Voir la table ci-dessous pour déterminer l'état de charge de la pile.

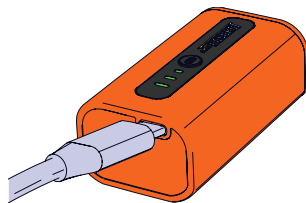


Figure 2

Indicateur de charge	Voyant 1	Voyant 2	Voyant 3
Tension de la pile < 3,6 V	Clignotant	ÉTEINT	ÉTEINT
3,6 V ≤ tension de pile < 3,9 V	ALLUMÉ	Clignotant	ÉTEINT
3,9 V ≤ tension de pile	ALLUMÉ	ALLUMÉ	Clignotant
4,165 V ≤ tension de pile < 4,235 V (charge complète)	ALLUMÉ	ALLUMÉ	ALLUMÉ

5. Installer la pile Li-ion dans l'appareil. (Figure 7 - Figure 8)

Comment installer ou changer des piles

REMARQUE :

- Veiller à toujours vérifier que le compensateur de verrouillage/interrupteur d'alimentation soit en position verrouillée avant de retirer et de remplacer les piles.
 - Utiliser uniquement des piles alcalines ou une pile lithium-ion.
 - Retirer les piles lors de l'entreposage de l'outil pendant une durée prolongée (plus de 3 mois) pour éviter de l'endommager au cas où les piles se détérioreraient.
1. Faire pivoter le laser à croix de manière à ce que l'arrière de l'appareil soit accessible. (Figure 3)

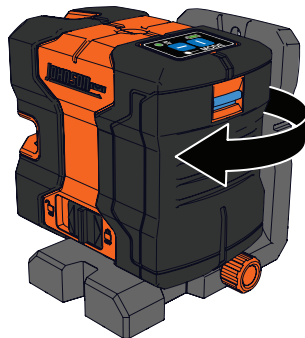


Figure 3

2. Appuyer sur la languette de verrouillage du couvercle de la pile pour déverrouiller le couvercle de la pile. Laissez le couvercle du compartiment à piles s'ouvrir. (Figure 4)

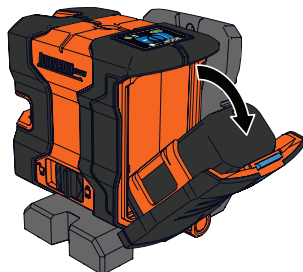


Figure 4

3. Retirer le boîtier à pile du compartiment à piles. (Figure 5)

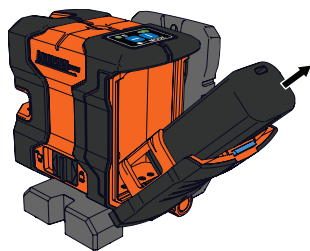


Figure 5

4. En cas de remplacement des piles alcalines, faire glisser le couvercle du boîtier à piles et insérer trois piles alcalines « AA » dans le boîtier selon la polarité illustrée à l'intérieur. (Figure 6)



Figure 6

5. Remettre le couvercle et réinsérer le boîtier à pile dans le compartiment à piles. S'assurer que l'extrémité avec les ouvertures soit insérée en premier. (Figure 7)

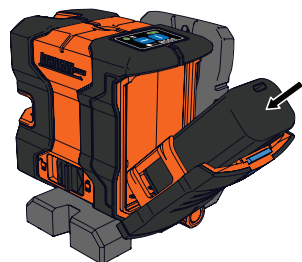


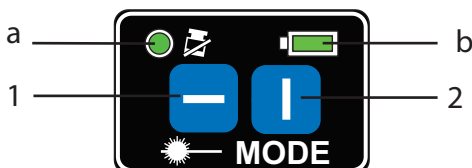
Figure 7

6. Fermer le couvercle de la pile jusqu'à ce qu'il s'enclenche. (Figure 8)



Figure 8

Vue d'ensemble du tableau de commande



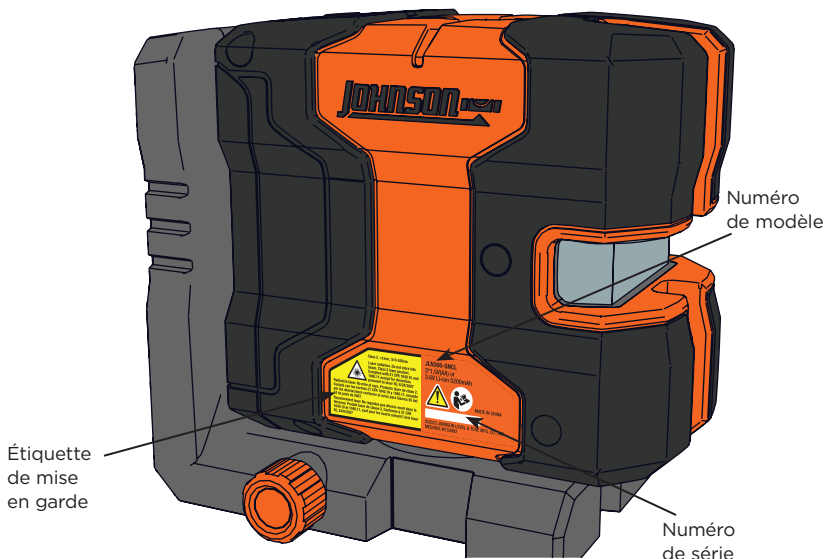
Touches de commande

1. Mode ligne laser horizontale
2. Mode ligne laser verticale

Voyants

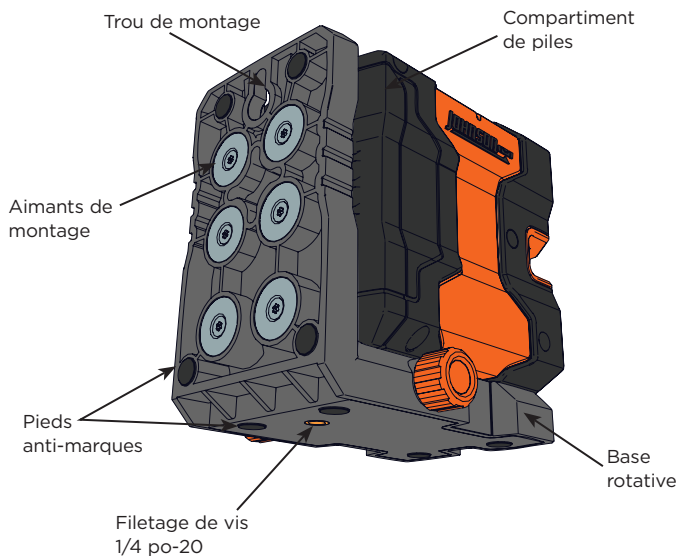
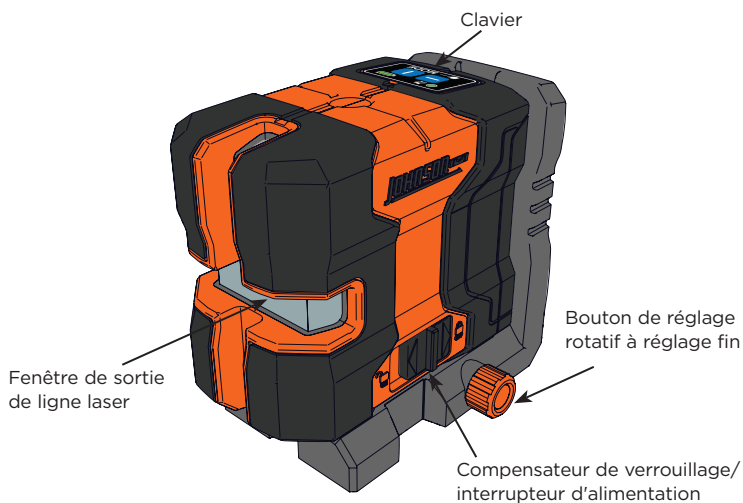
- a. Indicateur de niveau
 - Vert (fixe) = sous tension, mode de nivellement automatique
 - Rouge (clignotant) = indicateur hors niveau
 - Rouge (fixe) = sous tension, mode manuel
- b. Indicateur du niveau de charge de la pile
 - Vert (fixe) = > 30 % de puissance
 - Rouge (fixe) = < 30 % mais > 15 %
 - Rouge (clignotant) = < 15 %

4. Étiquettes de mise en garde



 <p>Class 2, <math><1\text{mw}</math>; 510-530nm Laser radiation. Do not stare into beam. Class 2 laser product. Complies with 21 CFR 1040.10 and 1040.11 except for deviations pursuant to laser 50, 6/24/2007.</p> <p>Radiación láser. No mire al rayo. Producto láser de clase 2. Cumple con las normas 21 CFR 1040.10 y 1040.11, excepto por las desviaciones conforme al aviso para láseres 50 del 24 de junio de 2007.</p> <p>Rayonnement laser. Ne regardez pas directement dans le faisceau. Produit laser de classe 2. Conforme à 21 CFR 1040.10 et 1040.11, sauf pour les écarts suivant l'avis laser 50, 24/6/2007</p>	<p>JLN300-GNCL 3*1.5V(AA) or 3.6V Li-ion 5200mAh</p>   <p>MADE IN CHINA</p> <p>©2023 JOHNSON LEVEL & TOOL MFG. CO., INC. MEQUON, WI 53092</p>
---	---

5. Pièces/composants



6. Consignes d'utilisation

IMPORTANT : Il incombe à l'utilisateur de vérifier l'étalonnage de l'instrument avant chaque utilisation. Voir la section 7.

Utilisation du laser à croix

1. Positions de montage

Le laser à croix de Johnson peut être monté dans une variété de positions, selon vos besoins.

Placer le laser en position verticale, soit sur une surface plane et stable, le monter sur un trépied avec une vis filetée 1/4 po-20, le monter sur une surface ferreuse à l'aide des aimants, ou l'accrocher sur un clou à l'aide le trou de montage. Les pieds en caoutchouc non marquants de l'appareil évitent d'endommager les surfaces. (Figure 9)

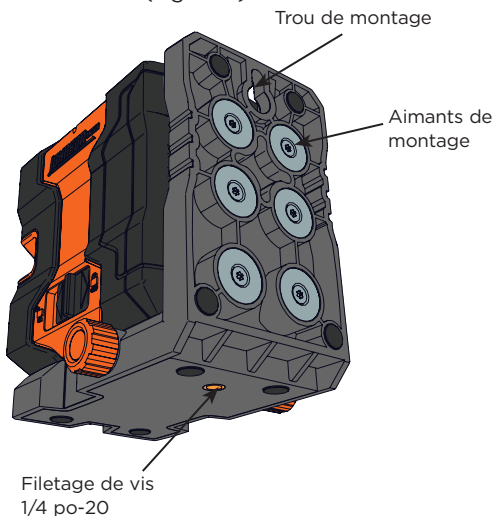


Figure 9

2. Utilisation d'un accessoire de support de montage en option

À l'aide d'un accessoire de base multifonctionnel en option (numéro 40-6422), l'appareil peut être utilisé dans encore plus de positions, y compris suspendu à une surface ferreuse surélevée, monté sur une vis filetée 5/8 po-11 ou insérer les bandes de montages dans les fentes pour toute installation sur des surfaces non ferreuses. (Figure 10)

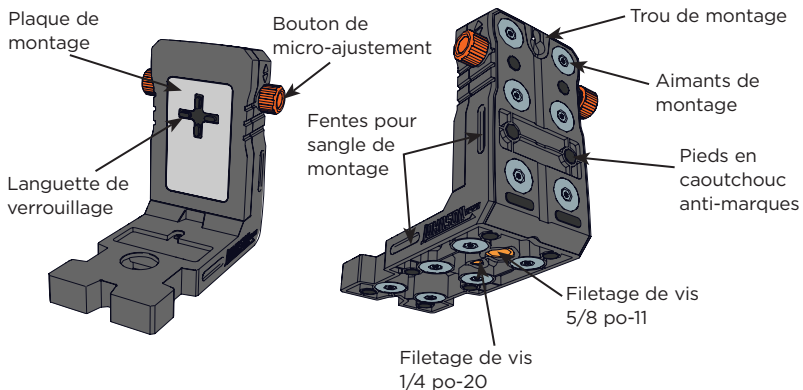


Figure 10

Fonctionnement

1. Pour fixer l'accessoire de base en option à l'unité, placer les aimants de l'unité sur la plaque métallique, en s'assurant que les languettes de verrouillage s'enclenchent en place à l'arrière de la base du laser. (Figure 11)

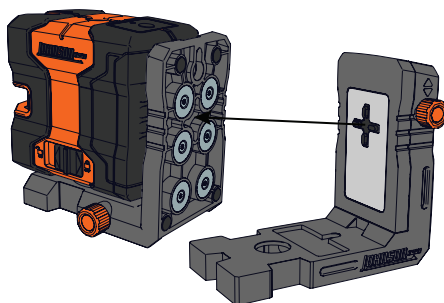


Figure 11

2. L'accessoire de base en option peut être monté sur l'appareil dans une variété de configurations : posé sur la base, suspendu à la base ou tourné à 90 ° sur la base. (Figure 12)

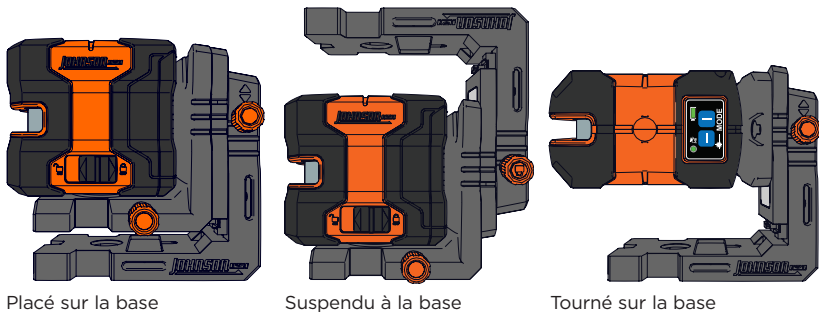


Figure 12

3. Pour effectuer des micro-ajustements à la position verticale du laser, pousser le bouton de micro-ajustement sur l'accessoire de base pour le déverrouiller. Faire pivoter le bouton pour monter ou descendre la plaque de fixation. La position peut être ajustée de 0,8 à 25 mm. Relâcher le bouton pour verrouiller la position. (Figure 13)

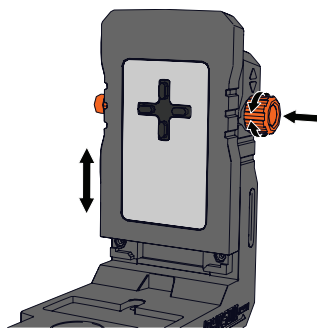



Figure 13

3. Utilisation de l'appareil en mode automatique

IMPORTANT : Si la position de l'appareil change après son auto-nivellement, vérifier la position de l'appareil (par exemple, la hauteur) par rapport aux conditions qui ont été potentiellement modifiées.

1. Faire glisser le compensateur de verrouillage/interrupteur d'alimentation vers la gauche pour déverrouiller (MARCHE)  la position pour mettre l'appareil sous tension. L'indicateur de niveau et l'indicateur d'alimentation s'allumeront. (Figure 14)

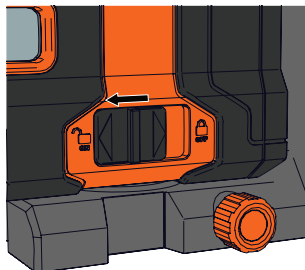


Figure 14



Voyant d'alimentation/ de piles :

Un voyant allumé en vert en continu indique que l'appareil est sous tension et que l'état de puissance des piles est supérieur à 30 %.

Un voyant allumé en rouge en continu indique que l'appareil est sous tension et que l'état de puissance des piles est entre 30 % et 15%.

Un voyant clignotant en rouge indique que l'appareil est sous tension et que l'état de puissance des piles est inférieur à 10 %. Charger ou changer les piles.

Un voyant éteint indique que l'appareil est hors tension ou que les piles sont épuisées.

2. Sur le clavier, appuyer sur la touche  pour allumer le faisceau laser horizontal. Appuyer sur la touche  pour mettre en marche le laser rotatif. L'appareil peut être utilisé avec n'importe quelle combinaison de faisceaux laser activés simultanément. La désactivation d'un laser que vous n'utilisez pas prolonge la durée de vie de la pile.

REMARQUE : L'appareil doit être à $\pm 4^\circ$ du niveau pour que la fonction de mise à niveau automatique fonctionne correctement. Si l'appareil est au-delà de sa plage d'auto-nivellement de 4° , le laser ne s'auto-nivellera pas, le laser clignotera et le voyant d'état de l'indicateur de niveau clignotera en rouge. Une fois que l'appareil a été réglé dans sa plage d'auto-nivellement de 4° , le laser se nivelle automatiquement, le voyant d'état devient vert et le voyant laser arrête de clignoter et reste fixe.

3. Lorsque le faisceau laser vertical est utilisé (d'aplomb), faire pivoter l'appareil dans la position souhaitée. Utiliser le bouton de réglage fin pour effectuer de petits ajustements. (Figure 15)

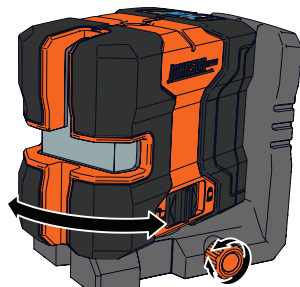



Figure 15

4. Faire glisser le compensateur de verrouillage vers la droite en position verrouillée (ÉTEINT)  pour éteindre l'appareil. (Figure 16)

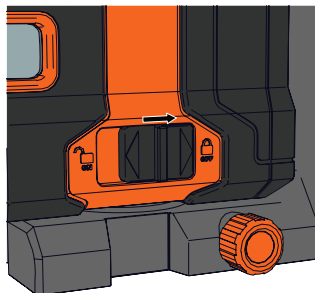




Figure 16

4. Utilisation du produit en mode d'inclinaison (niveau manuel)

Le verrou du pendule sécurise le laser pendant le transport afin d'éviter d'endommager le mécanisme d'auto-nivellement. Il permet également d'utiliser le laser sous n'importe quel angle en mode manuel.

1. L'appareil peut être utilisé pour projeter des faisceaux laser à n'importe quel angle souhaité, comme lors de la projection d'une ligne pour un escalier ou une balustrade. Ce mode permet d'obtenir les meilleurs résultats lorsque l'appareil est monté sur un trépied. Avec le compensateur de verrouillage en position verrouillée (ÉTEINT), appuyer sur l'une des touches du clavier et maintenez-la enfoncée pendant trois secondes pour mettre l'appareil sous tension. Les voyants d'état s'allumeront. Le voyant de l'indicateur de niveau s'allumera en rouge fixe pour indiquer que l'appareil n'est pas sur auto-nivellement.
2. Sur le clavier, appuyer sur la touche  pour allumer le faisceau laser horizontal. Appuyer sur la touche  pour mettre en marche le laser rotatif. L'appareil peut être utilisé avec n'importe quelle combinaison de faisceaux laser activés simultanément. La désactivation d'un laser que vous n'utilisez pas prolonge la durée de vie de la pile. Les lasers ne s'auto-nivelleront pas.

REMARQUE : En mode de niveau manuel, les lasers actifs clignoteront trois fois, à une seconde d'intervalle, toutes les 15 secondes. Il s'agit d'une indication visuelle que l'appareil est en mode de niveau manuel et qu'il ne s'auto-nivellera pas.

3. Lorsque le faisceau laser vertical est utilisé (d'aplomb), faire pivoter l'appareil dans la position souhaitée. Utiliser le bouton de réglage fin pour effectuer de petits ajustements.
4. Appuyer sur l'un des boutons du faisceau laser pendant trois secondes pour éteindre l'appareil.

Utilisation de la cible

La cible sert à améliorer la visibilité du faisceau laser. La cible est pourvue d'aimants pour être fixée facilement à des surfaces ferreuses dans une position horizontale ou verticale. Elle comporte des mesures en unités anglaises ou métriques (pouces/centimètres). Cet élément est destiné à être utilisé avec des niveaux laser verts. (Figure 17)

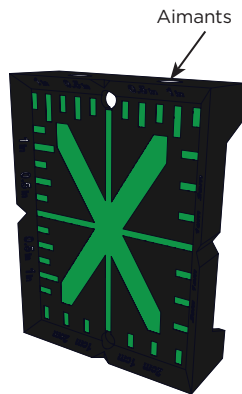


Figure 17

7. Vérification de la précision

Vérifier la précision du laser avant de commencer tout travail important.

1. Précision du fil à plomb

REMARQUE : Cet essai doit être réalisé à l'intérieur avec un éclairage réduit. Il est essentiel que la marque laser soit facilement observée.

1. Positionner le laser au Point 1, à 3 m d'une porte.
2. Marquer le faisceau au point 1.
3. Marquer le faisceau au point 2, à 6 m de distance.
4. Marquez les points C sur le sol sous la porte et D sur la porte.
5. Déplacer le laser près du Point 2. Diriger le faisceau vers les points 2, C et 1. Marquer le point E à côté de D sur la porte.
6. Si la distance de D à E < 1,5 mm pour une porte de 3 m, votre précision d'aplomb est conforme aux spécifications. (Figure 18)

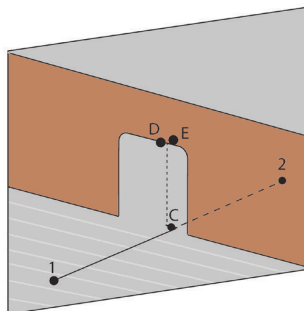


Figure 18

2. Précision des lignes horizontales

Vérifier la précision en utilisant deux murs distants de 6 m.

1. Placer le laser à côté du mur A. Marquer la hauteur du faisceau sur le mur A comme point A1. (Figure 19)



Figure 19

2. Faire pivoter le laser de 180°. Marquer la hauteur du faisceau sur le mur B comme point C. (Figure 20)



Figure 20

3. Placer le laser à côté du mur B et ajuster le faisceau à la hauteur C. (Figure 21)



Figure 21

4. Faire pivoter le laser de 180°. Marquer la hauteur du faisceau sur le mur A comme A2. (Figure 22)



Figure 22

5. Mesurer la distance verticale entre A1 et A2. Si cette distance est < 1,5 mm à 6 m, votre précision horizontale est conforme aux spécifications.

REMARQUE : Si votre laser nécessite un service ou un étalonnage hors garantie, veuillez le renvoyer à un centre de service agréé Johnson pour qu'il soit réparé.

8. Caractéristiques techniques

Laser vert (horizontal, vertical)

	Longueur d'onde (nm)	Classe de laser	Puissance (mW)
Ligne horizontale/ verticale	510-530 nm	2	< 1mW

Précision	± 3 mm/10 m
Portée	Jusqu'à 50 m avec détecteur (non fourni)
Plage d'autonivellement	± 4°
Alimentation électrique	Pile Li-ion (incluse), 3 piles alcalines « AA » (non incluses)
Durée de vie des piles	Jusqu'à 30 heures Li-ion (fournies) ou 11 heures alcaline (en option)
Dimensions	H 114 mm x L 69 mm x P 140 mm
Température de fonctionnement	-10 °C à +45 °C
Filetage pour trépied	1/4 po-20
Indice de protection	IP64

9. Entretien et manipulation

- Cet appareil laser est un outil de précision qui doit être manipulé avec précaution.
- Éviter d'exposer l'appareil aux vibrations de choc et aux températures extrêmes.
- Avant de déplacer ou de transporter l'appareil, veiller à ce qu'il soit éteint.
- Retirer les piles lors de l'entreposage de l'appareil pendant une durée prolongée (plus de trois mois) pour éviter de l'endommager au cas où les piles se détérioreraient.
- Veiller à toujours ranger l'appareil dans son étui lorsqu'il n'est pas utilisé.
- Éviter de mouiller l'appareil.
- Maintenir l'appareil laser sec et propre, en particulier la fenêtre de sortie de laser.
- Retirer toute humidité ou saleté à l'aide d'un chiffon doux et sec.
- Ne pas utiliser de produits chimiques corrosifs, ni de détergents puissants, ni de solvants nettoyeurs pour nettoyer l'appareil laser.

10. Garantie et enregistrement du produit

Johnson Level & Tool offre une garantie limitée de cinq ans sur ce produit. Il est possible d'obtenir une copie de la garantie limitée d'un produit Johnson Level & Tool. Pour ce faire, communiquer avec le service à la clientèle de Johnson Level & Tool, comme indiqué ci-dessous, ou visiter le site Web de Johnson Level & Tool au www.johnsonlevel.com. La garantie limitée de chaque produit contient diverses limitations et exclusions.

Ne pas retourner ce produit au magasin/vendeur ou au lieu d'achat. Les réparations non couvertes par la garantie et l'étalonnage doivent être effectués par un centre de réparations agréé Johnson®, autrement la garantie limitée de Johnson Level & Tool, le cas échéant, sera annulée et il n'y aura AUCUNE GARANTIE. Communiquer avec l'un des centres de réparation de Johnson Level & Tool pour toutes les réparations non couvertes par la garantie. Une liste des centres de réparation peut être obtenue en visitant le site Web de Johnson Level & Tool au www.johnsonlevel.com ou en appelant le service à la clientèle de Johnson Level & Tool. Communiquer avec le service à la clientèle de Johnson Level & Tool afin d'obtenir une autorisation de retour d'article pour les réparations couvertes par la garantie (défauts de fabrication uniquement). Une preuve d'achat est nécessaire.

Pour toute assistance, ou en cas de problèmes avec ce produit qui ne sont pas abordés dans ce mode d'emploi, communiquer avec le service à la clientèle de Johnson Level & Tool au 888-953-8357.

Enregistrer ce produit dans un délai de 30 jours à compter de la date d'achat. L'enregistrement permet à Johnson Level & Tool d'avoir les renseignements des clients à disposition pour une intervention dans le cadre de la garantie même en cas de perte du reçu, et de communiquer avec les clients si jamais un rappel de produit est nécessaire. Johnson Level & Tool ne vendra jamais les renseignements sur les clients et ne leur enverra des informations commerciales que s'ils y ont consenti.

Pour effectuer l'enregistrement, se rendre à l'adresse www.johnsonlevel.com/register.

11. Accessoires

Les accessoires et pièces de rechange Johnson® sont disponibles à l'achat chez les revendeurs agréés Johnson®. L'utilisation d'accessoires et de pièces de rechange autres que Johnson® annulera toute garantie limitée en vigueur et il n'y aura AUCUNE GARANTIE. Pour obtenir de l'aide afin de trouver des accessoires, communiquer avec le service à la clientèle de Johnson Level & Tool au 888-953-8357.

12. Dépannage

Symptôme	Cause probable	Solution
Le laser ne se met pas en marche	Piles manquantes ou épuisées	Changer les piles
	Polarité de la pile alcaline incorrecte	Vérifier la polarité de la pile
Le laser s'éteint au bout d'une courte période	Piles épuisées	Charger ou changer les piles
Le laser ne mesure pas le niveau avec précision	Le laser est mal étalonné, PLUS DE 3 mm a 10 m	Renvoyer le laser à un revendeur Johnson en vue d'un étalonnage
La lumière laser semble faible	Piles faibles	Charger ou changer les piles
	Type de piles incorrect	Veiller à l'utilisation de piles alcalines de haute qualité
	Température ambiante trop élevée/basse	Veiller à ce que la température se situe dans la plage de fonctionnement figurant dans les caractéristiques techniques
La lumière du laser clignote	Le laser est hors de la plage d'auto- nivellement	Positionner le laser à moins de 4 ° du niveau afin qu'il puisse s'auto-niveler
Le laser ne s'auto-nivelle pas	Le laser est hors de la plage d'auto- nivellement	Positionner le laser à moins de 4 ° du niveau afin qu'il puisse s'auto-niveler
	Le compensateur est verrouillé	Déverrouiller le compensateur pour permettre au pendule de s'auto-niveler ; le fonctionnement avec le compensateur verrouillé est pour le mode d'inclinaison/niveau manuel à des angles uniques



Láser de líneas cruzadas GreenBrite®
N.º de modelo JLN300-GNCL.



Manual de instrucciones

Felicitaciones por su elección de este láser de líneas cruzadas GreenBrite®. Le sugerimos que lea con atención este manual de instrucciones antes de utilizar el instrumento. Guarde este manual de instrucciones para su uso futuro.

Esta es una herramienta láser de clase II y está fabricada para cumplir con CRF 21, partes 1040.10 y 1040.11, así como la norma de seguridad internacional IEC 285.

Índice

- | | |
|------------------------------------|--------------------------------------|
| 1. Contenido del juego | 7. Revisión de precisión |
| 2. Instrucciones de seguridad | 8. Especificaciones |
| 3. Introducción | 9. Cuidado y manipulación |
| 4. Etiquetas de advertencia | 10. Garantía y registro del producto |
| 5. Piezas y componentes | 11. Accesorios |
| 6. Instrucciones de funcionamiento | 12. Solución de problemas |

1. Contenido del juego

Descripción del modelo JLN300-GNCL	Cant.
Láser de líneas cruzadas con base magnética	1
Batería de iones de litio	1
Objetivo magnético	1
Estuche de transporte de carcasa dura	1

2. Instrucciones de seguridad

¡PRECAUCIÓN!

Producto láser de clase II
Potencia de salida máx.: <1 mW
Longitud de onda: 510-530 nm

**ESTA HERRAMIENTA EMITE RADIACIÓN LÁSER.
NO MIRE FIJAMENTE AL HAZ.
EVITE LA EXPOSICIÓN DIRECTA DE LOS OJOS.**



ATENCIÓN



IMPORTANTE

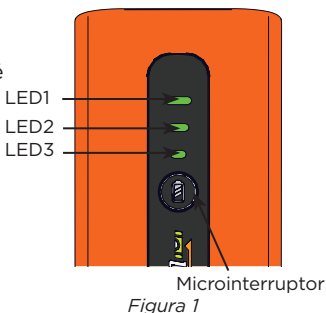
- Lea todas las instrucciones antes de utilizar esta herramienta láser. No retire ninguna etiqueta de la herramienta.
- No mire directamente al haz del láser.
- No proyecte el haz del láser directamente a los ojos de otras personas.
- No coloque la herramienta láser a la altura de los ojos ni la utilice cerca de una superficie reflectante, ya que el haz del láser se podría proyectar en sus ojos o en los ojos de otras personas.
- No coloque la herramienta láser de manera que pueda hacer que alguien mire involuntariamente el haz del láser. Se pueden producir lesiones oculares graves.
- No utilice la herramienta en entornos explosivos, es decir, en presencia de gases o líquidos inflamables.
- Mantenga la herramienta láser fuera del alcance de los niños y otras personas que no estén capacitadas.
- No intente ver el haz del láser a través de herramientas ópticas como telescopios, ya que se podrían provocar lesiones oculares graves.
- Apague siempre la herramienta láser cuando no esté en uso o cuando la deje desatendida durante un período de tiempo.

3. Introducción

IMPORTANTE: Es responsabilidad del usuario verificar la calibración del instrumento antes de cada uso. Consulte la sección 7.

Cómo cargar una batería de iones de litio

1. Si se inserta una batería de iones de litio en la unidad, abra el compartimiento de la batería. (Figura 3 - Figura 5)
2. Revise el estado del indicador de carga de la batería de iones de litio. Presione el microinterruptor de la batería. Observe qué luces LED se encienden. Consulte la tabla siguiente para determinar el estado de la alimentación de la batería. Las luces LED se apagarán después de tres segundos. (Figura 1)



Indicador de carga	LED1	LED2	LED3
Voltio de batería <3.5 V	ENCENDIDO	APAGADO	APAGADO
3.5 V ≤ voltios de batería <3.8 V	ENCENDIDO	ENCENDIDO	APAGADO
3.8 V ≤ voltios de batería	ENCENDIDO	ENCENDIDO	ENCENDIDO

3. Conecte un adaptador/cargador USB tipo C al puerto de carga de la batería que se encuentra en la parte delantera de la batería. (Figura 2)
4. Conecte el extremo opuesto del cable de carga a una fuente de alimentación y observe que se enciendan los LED de carga de la batería. Cuando los tres están encendidos, la batería está completamente cargada. El tiempo de carga normalmente es de 5 horas. Consulte la tabla siguiente para determinar el estado de carga de la batería.

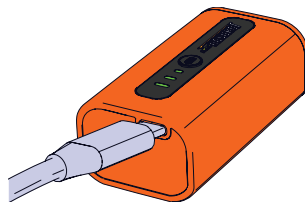


Figura 2

Indicador de carga	LED1	LED2	LED3
Voltio de batería <3.6 V	Intermitente	APAGADO	APAGADO
3.6 V ≤ voltios de batería <3.9 V	ENCENDIDO	Intermitente	APAGADO
3.9 V ≤ voltios de batería	ENCENDIDO	ENCENDIDO	Intermitente
4.165 V ≤ voltios de la batería <4.235 (completamente cargada)	ENCENDIDO	ENCENDIDO	ENCENDIDO

5. Instale la batería de iones de litio en la unidad. (Figura 7 - Figura 8)

Cómo instalar o cambiar las baterías

NOTA:

- Revise siempre que el compensador de bloqueo/interruptor de encendido esté en la posición bloqueada antes de retirar o cambiar las baterías.
- Use solo baterías alcalinas o una batería de iones de litio.
- Retire las baterías cuando almacene la herramienta durante un tiempo prolongado (más de 3 meses) para evitar daños en la unidad si las baterías se deterioran.

1. Gire el láser de líneas cruzadas, de modo que se pueda acceder a la parte trasera de la unidad. (Figura 3)

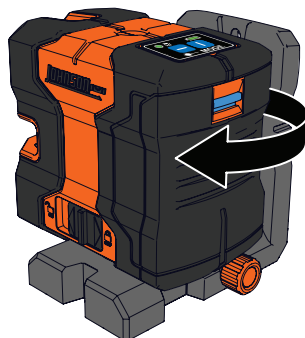


Figura 3

2. Empuje la lengüeta de bloqueo de la puerta de la batería hacia abajo para desbloquear la puerta de la batería. Permita que la puerta del compartimiento de la batería caiga y quede abierta. (Figura 4)



Figura 4

3. Retire la caja de la batería de la unidad.
(Figura 5)

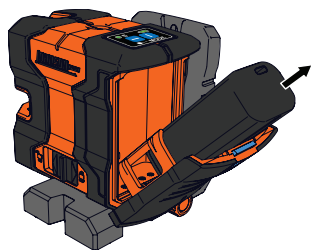


Figura 5

4. Si está reemplazando las baterías alcalinas, deslice para sacar la cubierta de la caja para batería e inserte tres baterías alcalinas "AA" en la caja de acuerdo con la polaridad ilustrada en el interior. (Figura 6)



Figura 6

5. Vuelva a instalar la cubierta y vuelva a insertar la caja para batería en la unidad. Asegúrese de insertar primero el extremo con las aberturas. (Figura 7)

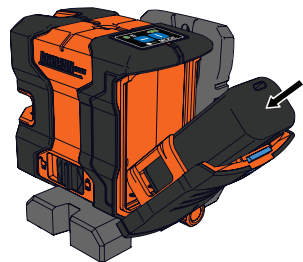


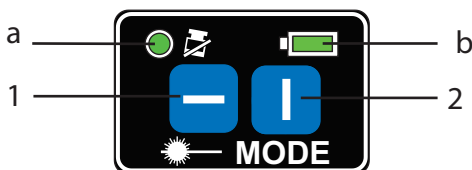
Figura 7

6. Empuje la cubierta de la batería hasta que encaje para cerrarla. (Figura 8)



Figura 8

Descripción general del panel de operaciones



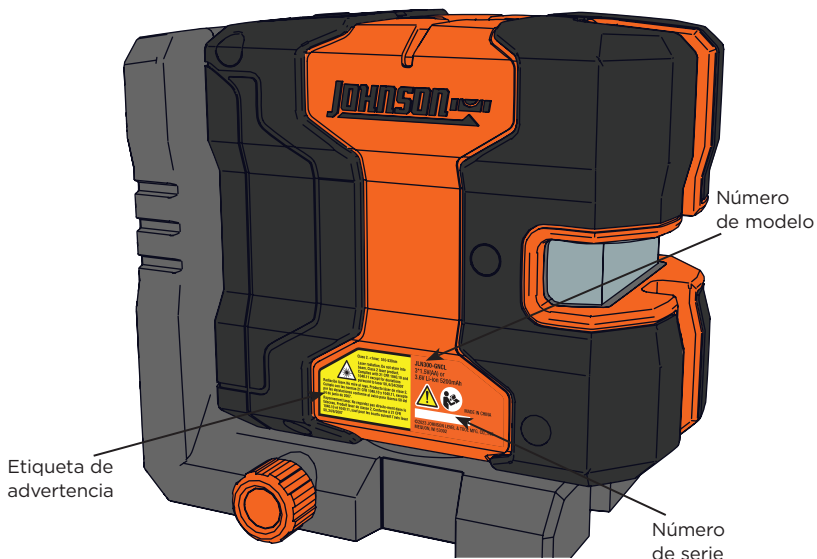
Botones

1. Modo de línea láser horizontal
2. Modo de línea láser vertical

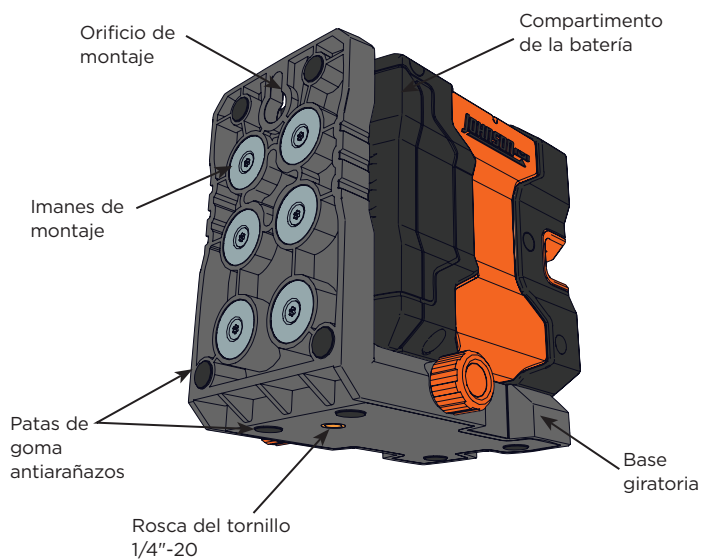
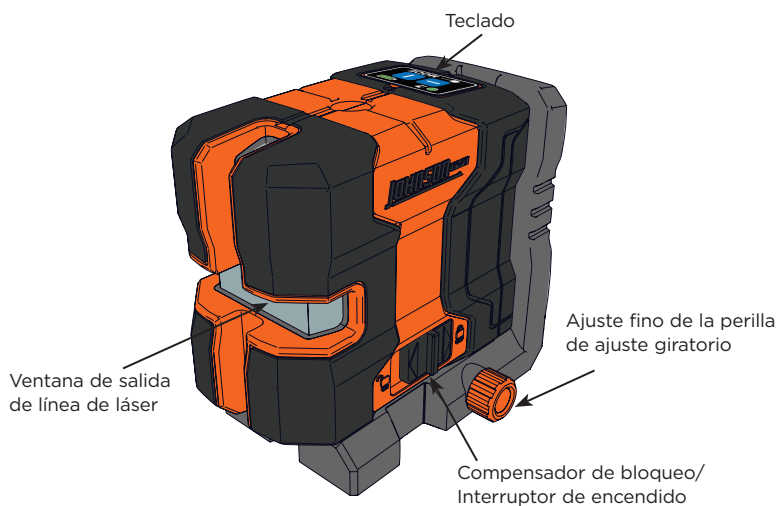
Luces LED

- a. Indicador de nivel
 - Verde (fijo) = Encendido, modo de autonivelación
 - Rojo (parpadeante) = Indicador fuera de nivel
 - Rojo (fijo) = Encendido, modo manual
- b. Indicador de batería
 - Verde (fijo) = > 30 % de potencia
 - Rojo (fijo) = < 30 % pero > 15 %
 - Rojo (parpadeante) = < 15 %

4. Etiquetas de advertencia



5. Piezas y componentes



6. Instrucciones de funcionamiento

IMPORTANTE: Es responsabilidad del usuario verificar la calibración del instrumento antes de cada uso. Consulte la sección 7.

Uso del láser de líneas cruzadas

1. Posiciones de montaje

El láser de líneas cruzadas Johnson se puede montar en una variedad de posiciones, dependiendo de sus necesidades.

Coloque la unidad en posición vertical, ya sea sobre una superficie estable y plana, instálelo en un trípode con un tornillo roscado de 1/4"-20, instálelo en una superficie ferrosa con los imanes, o cuélguelo en un clavo con el orificio de montaje. Las patas de goma antiarañazos en la unidad evitan los daños a las superficies. (Figura 9)

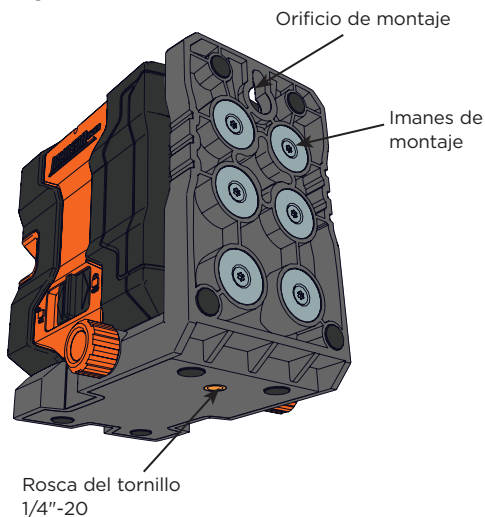


Figura 9

2. Uso de un accesorio de soporte de montaje opcional

Con un accesorio de base multifuncional opcional (#40-6422), la unidad se puede usar en incluso más posiciones, como colgarla desde una superficie ferrosa elevada, montarla en un tornillo roscado de 5/8"-11 o insertar las correas de montaje en las ranuras para montar en superficies no ferrosas. (Figura 10)

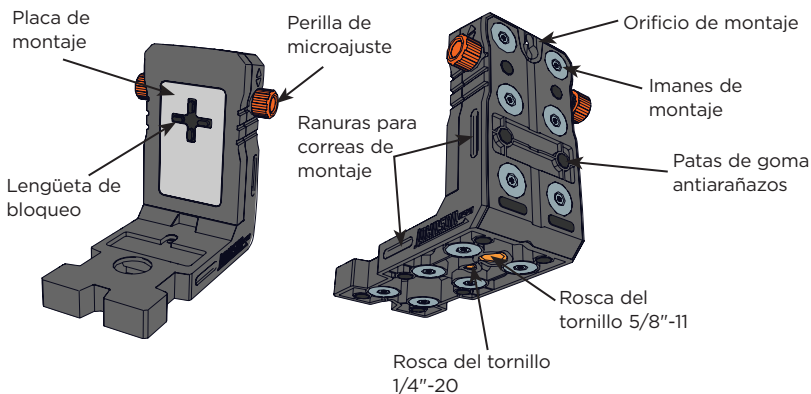


Figura 10

Funcionamiento

1. Para instalar el accesorio de base opcional en la unidad, coloque los imanes de la unidad en la placa de metal, y asegúrese de que las lengüetas de bloqueo encajen en posición en la parte trasera de la base del láser. (Figura 11)

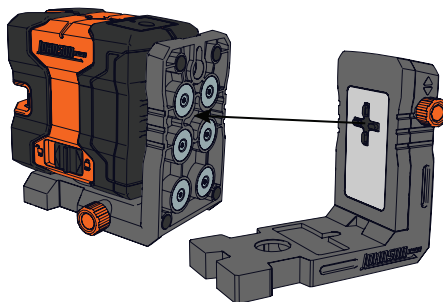


Figura 11

2. El accesorio de base opcional se puede montar en la unidad en una variedad de configuraciones: asentado en su base, colgado de la base o girado en 90° en la base. (Figura 12)

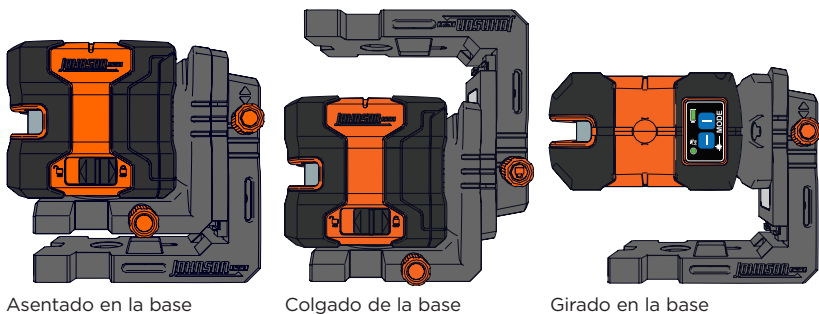
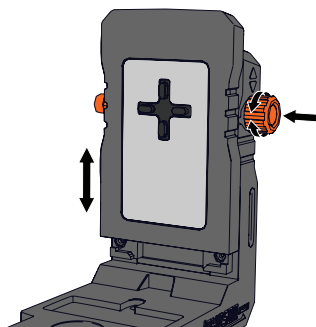



Figura 12

3. Para hacer microajustes a la posición vertical del láser, empuje la perilla de microajuste en el accesorio de la base hasta que lo desbloquee. Gire la perilla para subir o bajar la placa de instalación. La posición se puede ajustar de 0.8 a 25 mm. Suelte la perilla para bloquear la posición. (Figura 13)



3. Uso de la unidad en modo automático

IMPORTANTE: Si la posición de la unidad cambia después de que se ha autonivelado, verifique la posición de la unidad (por ejemplo, la altura) ante un potencial cambio de las condiciones.

1. Deslice el compensador de bloqueo/
Interruptor de encendido hacia la izquierda
a la posición desbloqueada (ENCENDIDO)
 para encender la unidad. Se encenderá
el indicador de nivel y el indicador de
encendido. (Figura 14)

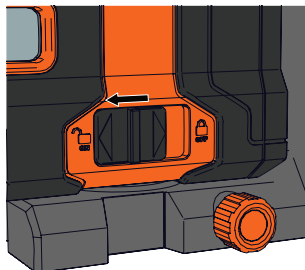


Figura 14



LED de encendido/
batería:

El LED verde fijo indica que la alimentación está encendida y que la batería es superior al 30 %.

El LED rojo fijo indica que la alimentación está encendida y que la batería está entre el 30 % y el 15 %.

El LED rojo intermitente indica que la alimentación está encendida y que la batería es inferior al 10 %. Cargue o cambie las baterías.

El LED apagado indica que la alimentación está apagada o que se ha agotado la batería.

2. En el teclado, presione el botón  para encender el haz horizontal del láser. Presione el botón  para encender el láser vertical del láser. La unidad se puede usar con una combinación de haces de láser encendidos de manera simultánea. Desactivar el láser que no está usando prolonga la vida útil de la batería.

NOTA: La unidad debe estar dentro de $\pm 4^\circ$ del nivel para que la característica de autonivelación funcione correctamente. Si la unidad está fuera de su rango de autonivelación de 4° , el láser no se autonivelará, el láser parpadeará y la luz del indicador de nivel parpadeará de color rojo. Una vez que la unidad se ajuste dentro de su rango de autonivelación de 4° , el láser se autonivelará, la luz de estado parpadeará de color verde y la luz del láser dejará de parpadear y permanecerá fija.

3. Cuando use el haz de láser vertical (plomada), gire la unidad a la posición deseada. Use la perilla de ajuste fino para hacer ajustes pequeños. (Figura 15)

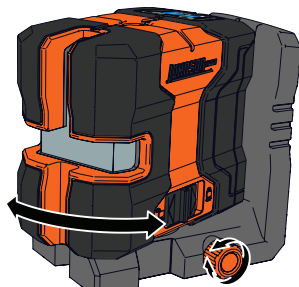



Figura 15

4. Deslice el compensador de bloqueo hacia la derecha a la posición bloqueada (APAGADO)  para apagar la unidad. (Figura 16)

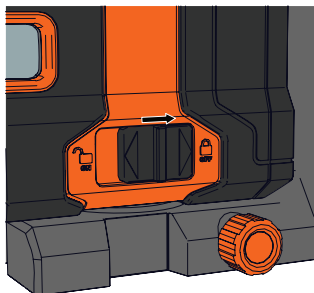




Figura 16

4. Uso del producto en modo inclinado (nivelación manual)

El bloqueo de péndulo fija el láser durante el transporte para evitar daños al mecanismo de autonivelación. También permite que el láser se use en cualquier ángulo en modo manual.

1. La unidad se puede usar para proyectar los haces del láser en cualquier ángulo deseado, como cuando proyecta una línea para escaleras o un pasamanos. Este modo produce los mejores resultados cuando la unidad se monta en un trípode. Con el compensador de bloqueo en la posición bloqueada (APAGADO), mantenga presionado cualquiera de los botones en el teclado por tres segundos para encender la unidad. Se encenderán las luces de estado. El indicador de nivel LED se encenderá de color rojo fijo para indicar que la unidad no se está autonivelando.
2. En el teclado, presione el botón  para encender el haz horizontal del láser. Presione el botón  para encender el láser vertical del láser. La unidad se puede usar con una combinación de haces de láser encendidos de manera simultánea. Desactivar el láser que no está usando prolonga la vida útil de la batería. Los láseres no se autonivelarán.

NOTA: Mientras está en modo de Nivelación manual, los láseres activos parpadearán tres veces, en intervalos de un segundo, cada 15 segundos. Esta es una indicación visual de que la unidad está en modo Nivelación manual y no se autonivelará.

3. Cuando use el haz de láser vertical (plomada), gire la unidad a la posición deseada. Use la perilla de ajuste fino para hacer ajustes pequeños.
4. Presione cualquiera de los botones de haz del láser durante tres segundos para apagar la unidad.

Uso del objetivo

El objetivo se utiliza para mejorar la visibilidad del haz del láser. El objetivo utiliza imanes para facilitar el montaje en superficies ferrosas en posiciones horizontales o verticales. Tiene medidas en escalas inglesas y métricas (pulgadas/cm). Este artículo es para su uso con niveles de láser verde. (Figura 17)

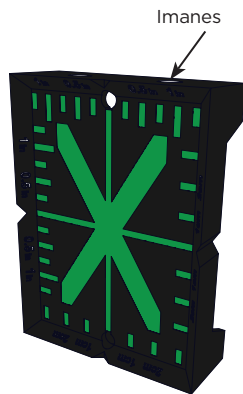


Figura 17

7. Revisión de precisión

Antes de comenzar trabajos críticos, revise la precisión de su láser.

1. Precisión de la línea de plomada

NOTA: Se debe realizar esta prueba debe realizar en interiores con una iluminación tenue. Es fundamental que la marca del láser se vea fácilmente.

1. Coloque el láser en el Punto 1, a 3 m de una entrada.
2. Marque el haz en el Punto 1.
3. Marque el haz en el Punto 2, a 6 m de distancia.
4. Marque el Punto C en el piso bajo la entrada y el Punto D en la entrada.
5. Marque el haz cerca del Punto 2. Apunte el haz a través de los Puntos 2, C y 1. Marque el Punto E junto al D en la entrada.
6. Si la distancia D a E < 1.5 mm para una entrada de 3 m, su precisión de plomada está dentro de la especificación. (Figura 18)

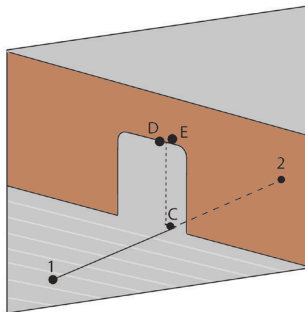


Figura 18

2. Precisión de la línea horizontal

Revise la precisión con dos paredes a 6 m de distancia.

1. Ajuste el láser en la Pared A. Marque la altura del haz en la Pared A en el punto A1. (Figura 19)



Figura 19

2. Gire el láser en 180°. Marque la altura del haz en la Pared B como el punto C. (Figura 20)



Figura 20

3. Ajuste el láser junto a la Pared B y ajuste el haz a la altura C. (Figura 21)



Figura 21

4. Gire el láser en 180°. Marque la altura del haz en la Pared A como A2. (Figura 22)
5. Mida la distancia vertical entre A1 y A2. Si la distancia es <math><1.5\text{ mm}</math> a 6 m, su precisión horizontal está dentro de la especificación.



Figura 22

NOTA: Si su láser necesita servicio fuera de la garantía o calibración, devuélvalo a un centro de servicio autorizado de Johnson para la reparación.

8. Especificaciones

Láser verde (horizontal, vertical)

	Longitud de onda (nm)	Clase de láser	Potencia (mW)
Línea horizontal/vertical	510-530 nm	2	<1 mW

Precisión	± 3 mm/10 m
Rango	Hasta 50 m con detector (no incluido)
Rango de autonivelación	$\pm 4^\circ$
Fuente de alimentación	Batería de iones de litio (incluida), 3 baterías alcalinas "AA" (no incluidas)
Vida útil de la batería	Hasta 30 horas con iones de litio (incluido) o 11 horas con alcalinas (optional)
Dimensiones	114 mm de alto x 69 mm de ancho x 140 mm de profundidad
Temperatura de trabajo	De -10°C a 45°C .
Rosca del trípode	1/4" - 20
Protección IP	IP64

9. Cuidado y manipulación

- Esta unidad láser es una herramienta de precisión que debe manipularse con cuidado.
- Evite exponer la unidad a vibraciones por golpe y a temperaturas extremas.
- Antes de mover o transportar la unidad, asegúrese de que esté apagada.
- Retire las baterías cuando almacene la unidad durante un tiempo prolongado (más de tres meses) para evitar daños en la unidad si las baterías se deterioran.
- Guarde siempre la unidad en su caja mientras no esté en uso.
- Evite mojar la unidad.
- Mantenga la unidad láser seca y limpia, especialmente la ventana de salida del láser.
- Elimine toda humedad o suciedad con un paño suave y seco.
- No utilice productos químicos fuertes, detergentes fuertes ni disolventes de limpieza para limpiar la unidad láser.

10. Garantía y registro del producto

Johnson Level & Tool ofrece una garantía limitada de cinco años para este producto. Para obtener una copia de la garantía limitada de un producto Johnson Level & Tool comuníquese con el departamento de servicio al cliente de Johnson Level & Tool, como se indica a continuación, o visite nuestro sitio web en www.johnsonlevel.com. La garantía limitada para cada producto contiene diversas limitaciones y exclusiones.

No devuelva este producto a la tienda/minorista o el lugar de compra. Las reparaciones y las calibraciones que no estén cubiertas por la garantía deben ser realizadas por un centro de servicio autorizado de Johnson® o la garantía limitada de Johnson Level & Tool, si corresponde, quedará nula y NO tendrá GARANTÍA. Comuníquese con uno de nuestros centros de servicio para todas las reparaciones que no estén cubiertas por la garantía. Puede encontrar una lista de centros de servicio en nuestro sitio web en www.johnsonlevel.com o llame a nuestro Departamento de Servicio al Cliente. Comuníquese con nuestro Departamento de Servicio al Cliente para la Autorización de Devolución de Material (RMA por sus siglas en inglés) para reparaciones con garantía (defectos de fabricación solamente). Se requiere comprobante de compra.

Para obtener más ayuda, o si experimenta problemas con este producto que no se abordan en este manual de instrucciones, comuníquese con nuestro Departamento de Servicio al Cliente al 888-953-8357.

Regístrese en un plazo de 30 días a partir de la compra. El registro garantiza que tengamos su información archivada para el servicio de garantía, incluso si pierde su comprobante, y nos permite comunicarnos con usted si alguna vez se debe retirar el producto. Nunca venderemos su información y solo le enviaremos información de marketing si así lo decide.

Para registrarse, vaya a www.johnsonlevel.com/register.

11. Accesorios

Los accesorios y los repuestos Johnson® están disponibles para su compra a través de los distribuidores autorizados Johnson®. El uso de accesorios y repuestos que no sean de Johnson® anulará toda garantía limitada correspondiente y quedará SIN GARANTÍA. Si necesita ayuda para localizar algún accesorio, comuníquese con nuestro Departamento de Servicio al Cliente al 888-953-8357.

12. Solución de problemas

Síntoma	Causa posible	Solución
No se enciende el láser	Faltan baterías o están agotadas	Cambie las baterías
	Polaridad incorrecta de la batería alcalina	Revise la polaridad de la batería
El láser se apaga después de un corto período de tiempo	Baterías agotadas	Cambie o cargue las baterías
El láser no está leyendo con precisión el nivel	El láser está descalibrado MÁS DE 3 mm a 10 m	Devuélvalo al distribuidor de Johnson para realizar el servicio
La luz del láser aparece tenue	Queda poca batería	Cambie o cargue las baterías
	Tipo de batería incorrecto	Asegúrese de utilizar baterías alcalinas de alta calidad
	Temperatura ambiente demasiado alta/baja	Asegúrese de que la temperatura esté dentro del rango de funcionamiento indicado en las especificaciones
La luz del láser parpadea	El láser está fuera del rango de autonivelación	Coloque el láser a 4° del nivel, de modo que se pueda autonivelar
El láser no se autonivela	El láser está fuera del rango de autonivelación	Coloque el láser a 4° del nivel, de modo que se pueda autonivelar
	El compensador está bloqueado	Desbloquee el compensador para permitir que el péndulo se autonivele; operar con el compensador es para el modo de nivelación manual/inclinado en ángulos únicos

